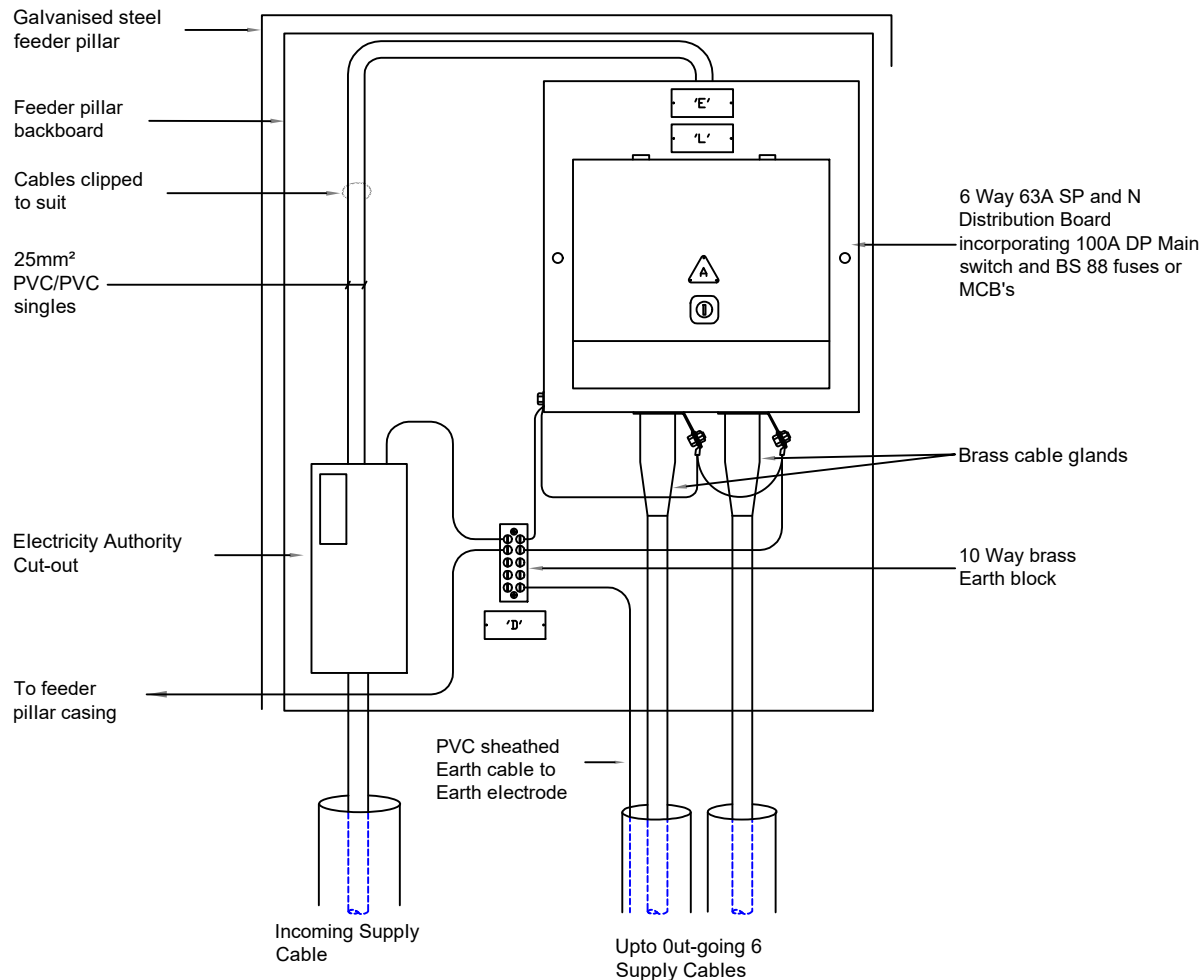


NOTES:

1. All dimensions are in millimetres unless otherwise stated.
2. Cables shall be labelled as required.
3. All gland terminations are as Drg No SD/14/7.



Rev.	Description	Drawn	Ch'kd	Auth	Date



in partnership with



www.viaem.co.uk Tel 0115 804 2100

Bilsthorpe Depot, Bilsthorpe Business Park, Bilsthorpe, Nottinghamshire, NG22 8ST

Highway Construction Details

Street Lighting

Feeder Pillar Detail-Type 3

SD/14/05

Project	Project No.	Drawn	Date
		JLS	13/08/2020
Status	Project No.	Ch'kd	Date
		JD	04/02/2021
Drawing Title		Auth	Traced
		JP	JLS
Drawing No.		Rev.	Scale
		0	N.T.S @A4