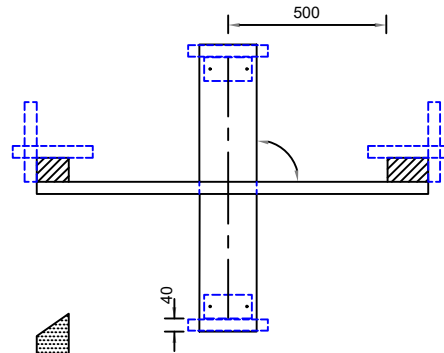
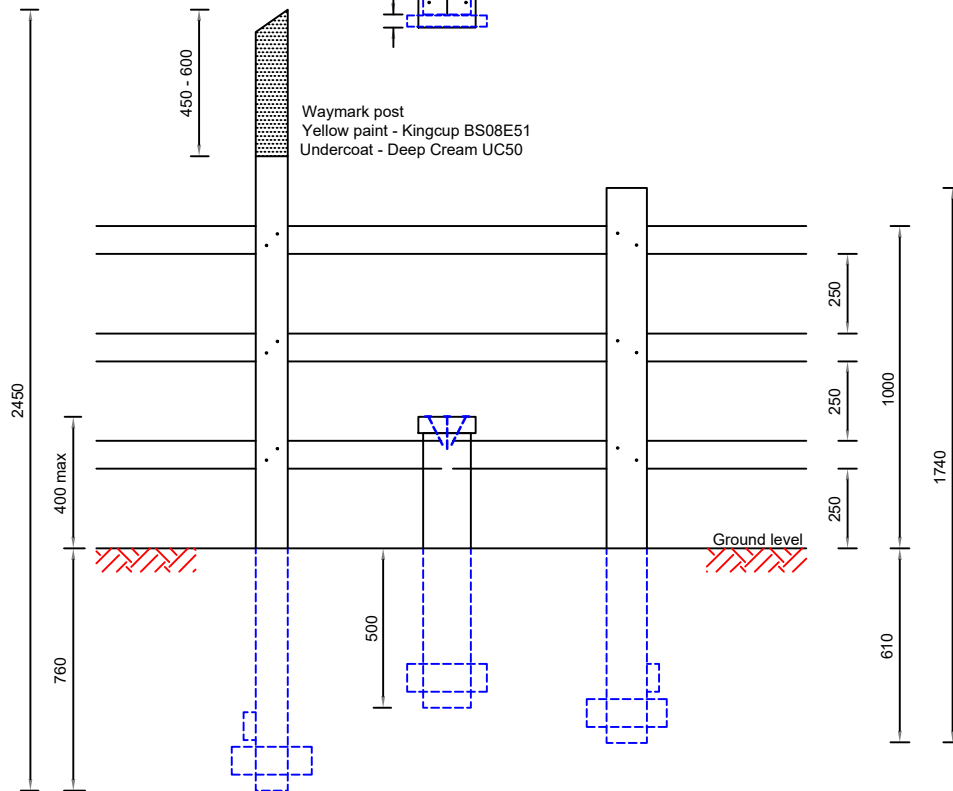


PLAN



ELEVATION



NOTES:

1. All dimensions are in millimetres unless otherwise stated.
2. Where construction of a stile has been specified, in all cases the rails should be extended into adjacent hedges or continued either side of the stile to fill gaps and make the structure stock-proof. Hand hold post to be weather cut and steps should be skew nailed to supports.
3. Where existing structures require to be made stable, posts should be excavated to a depth of approximately 300mm and blocks of rubble should be added as wedges, the soil returned and compacted. Loose timber should be nailed down and the structure made stock-proof, if necessary, by addition of timber rails.
4. Where a foot stool is specified to be constructed in a fence or stile, the dimensions and height above ground should be the same as that given in the drawing.
5. Where a stile is specified to be constructed in a barbed wire fence or wire fence, two additional posts should be used as strainer posts, to be placed at least 500mm from stile posts.
6. Attach 2 x 250 long off-cut rail pieces to the bottom of the post using four 100mm nails, to anchor it. Post to be secured with rubble and soil compacted, unless otherwise specified.

DESCRIPTION	DIMENSIONS	NO
WAYMARK POST	100 x 100 x 2450	1
POST	127 x 76 x 1850	1
RAILS	38 x 87	3
FOOTSTOOL TREAD	50 x 180 x 900	1
FOOTSTOOL UPRIGHTS	75 x 150 x 890	2

Rev.	Description	Drawn	Ch'kd	Auth	Date



in partnership with



www.viaem.co.uk Tel 0115 804 2100

Bilsthorpe Depot, Bilsthorpe Business Park, Bilsthorpe, Nottinghamshire, NG22 8ST

Highway Construction Details

Rights of Way

Waymark Stile

SD/FP/04

Project	Highway Construction Details		Drawn	HR	Date	18/08/2020	
Status	Project No.	Rights of Way		Ch'kd	JD	Date	16/02/2021
Drawing Title	Waymark Stile		Auth	JP	Traced	HR	
Drawing No.	SD/FP/04		Rev.	0	Scale	N.T.S @A4	