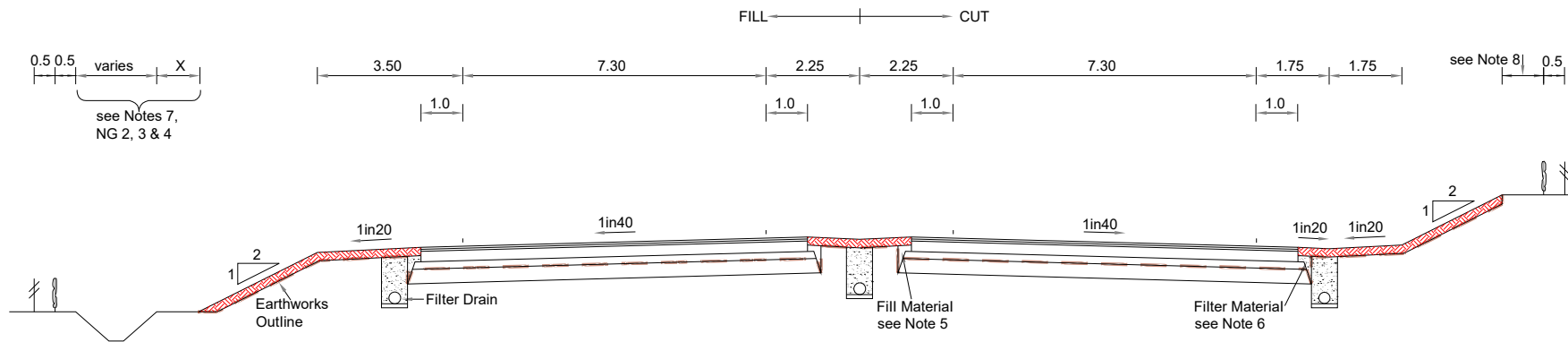
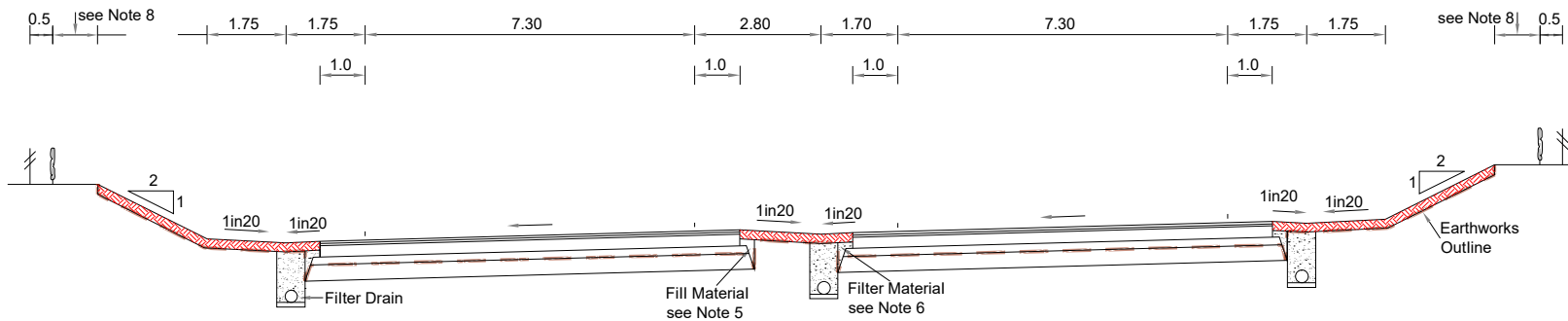


NOTES:

- For Notes see Drg No SD/7/1A.



METRE STRIP - NORMAL CROSSFALL IN CUT AND FILL



METRE STRIP - SUPERELEVATED IN FILL

Rev.	Description	Drawn	Ch'kd	Auth	Date



in partnership with



**Nottinghamshire  
County Council**

www.viaem.co.uk Tel 0115 804 2100

Bilthorpe Depot, Bilthorpe Business Park, Bilthorpe,  
Nottinghamshire, NG22 8ST

Project		Highway Construction Details			Project	Drawn	Date
Status	Project No.	Typical Cross Sections			JLS	JLS	17/08/2020
Drawing Title		Dual Carriageway			JD	JD	11/02/2021
Drawing No.		SD/7/8			JJP	JJP	JLS
					Rev.	0	Scale N.T.S @A4