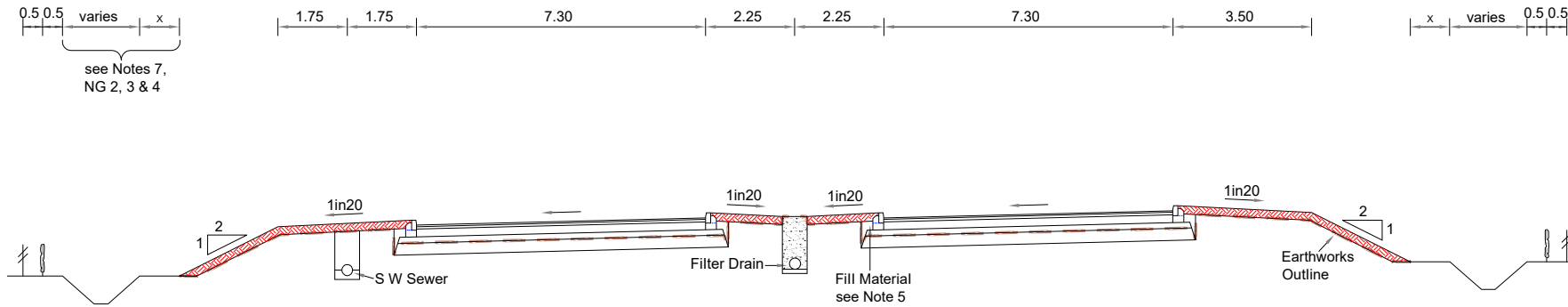
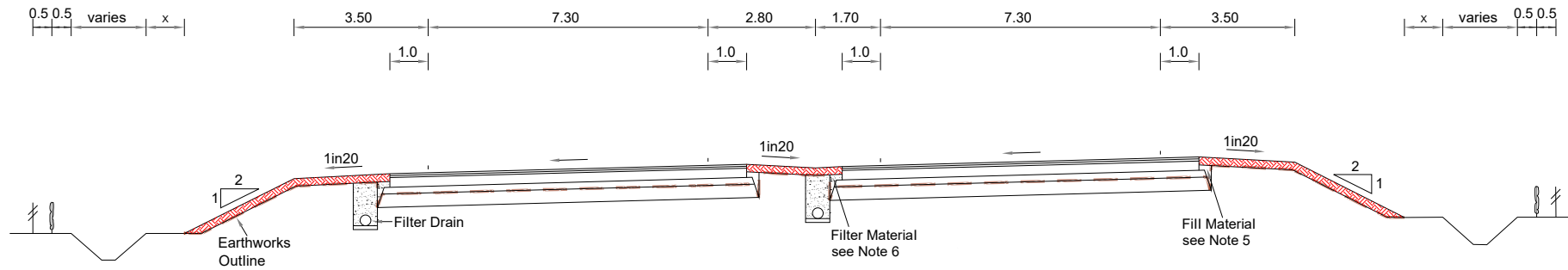


NOTES:

- For Notes see Drg No SD/7/1A.



KERBED - SUPERELEVATED IN FILL



METRE STRIP - SUPERELEVATED IN FILL

Rev.	Description	Drawn	Ch'kd	Auth	Date


 in partnership with


www.viaem.co.uk Tel 0115 804 2100
 Bilsthorpe Depot, Bilsthorpe Business Park, Bilsthorpe,
 Nottinghamshire, NG22 8ST

Project		Highways Construction Details			Drawn	JLS	Date	17/08/2020
Status	Project No.	Typical Cross Sections			Ch'kd	JD	Date	11/02/2021
Drawing Title		Dual Carriageway			Auth	JJP	Traced	JLS
Drawing No.		SD/7/7			Rev.	0	Scale	N.T.S @A4