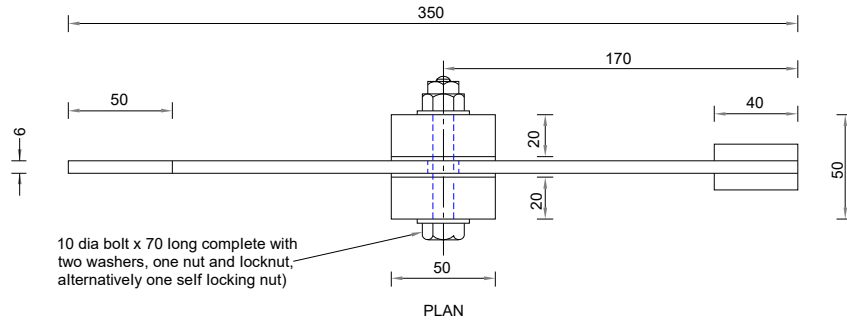
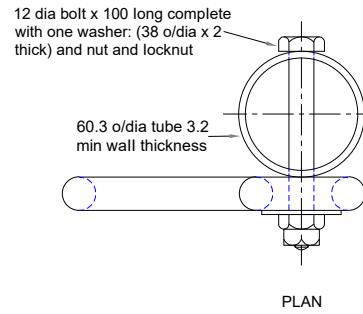


NOTES:

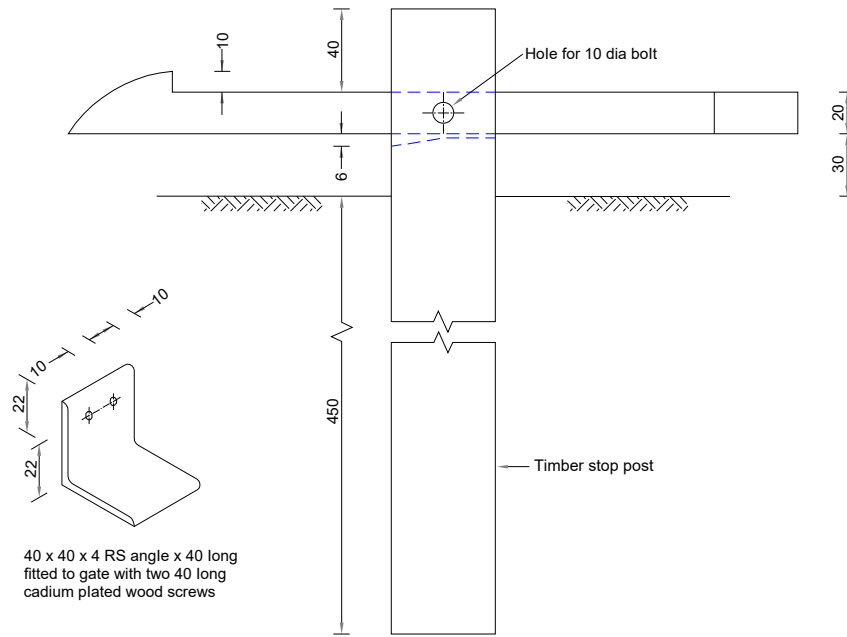
1. All dimensions are in millimetres unless otherwise stated.
2. Gate fittings shall comply with BS 5709 as appropriate and any other further requirements in Appendix 1/5 or 3/2.
3. All metal fittings and bolts shall be galvanised mild steel.



PLAN

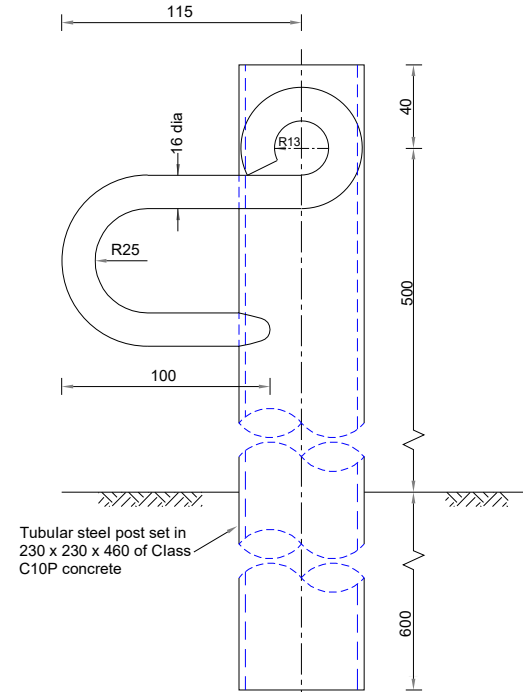


PLAN



ELEVATION

SELF LATCHING STOP POST FOR TIMBER GATES



ELEVATION

HOLDING BACK STOP POST FOR STEEL GATES

Rev.	Description	Drawn	Ch'kd	Auth	Date



in partnership with



www.viaem.co.uk Tel 0115 804 2100

Bilsthorpe Depot, Bilsthorpe Business Park, Bilsthorpe, Nottinghamshire, NG22 8ST

Project		Highway Construction Details			Project	Drawn	Date
Status	Project No.	Fencing				JLS	18/08/2020
Drawing Title		Self Latching Stop Posts For Timber And Metal Gates				JD	01/02/21
Drawing No.		SD/3/33				JJP	JLS
						0	Scale N.T.S @A4