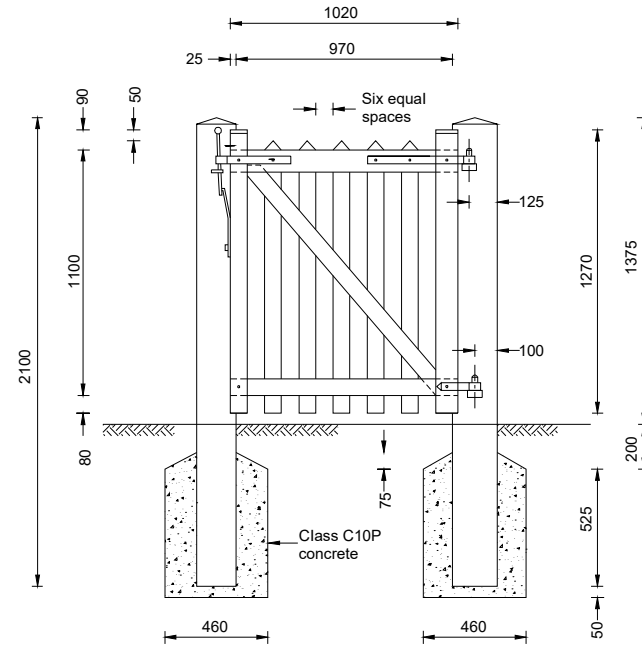
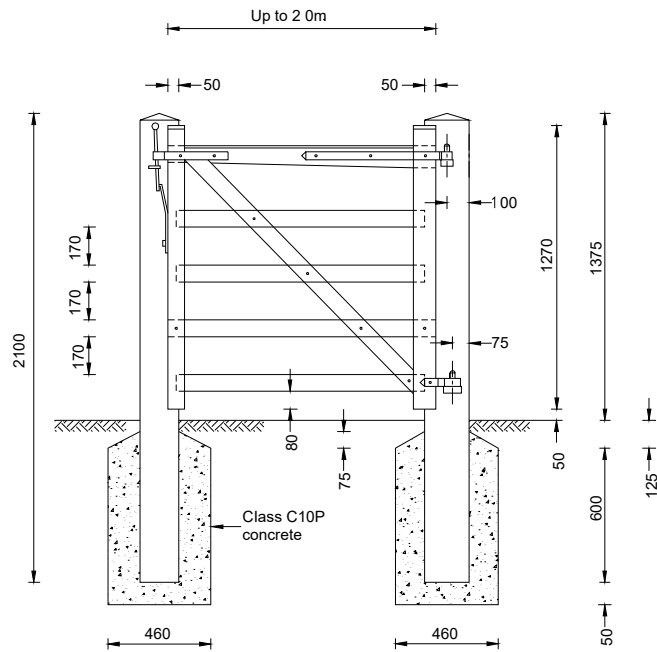


NOTES:
1. For Notes see Drg No SD/3/20.



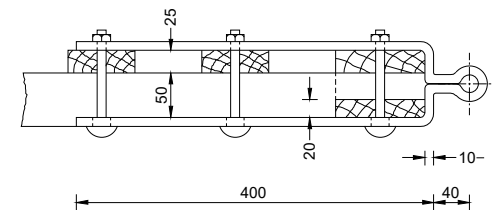
TIMBER WICKET GATE - TYPE 1

DESCRIPTION OF TIMBER MATERIAL	SIZE
Hanging Post	200 x 200 x 2100 long
Shutting Post	175 x 175 x 2100 long
Hanging Stile	100 x 75
Shutting Stile	75 x 75
Top Rail	100 x 75 tapering to 75 x 75
All Other Rails	75 x 25
Braces, housed in top rail	75 x 25

TIMBER WICKET GATE - TYPE 2

DESCRIPTION OF TIMBER MATERIAL	SIZE
Hanging Post	200 x 200 x 2100 long
Shutting Post	175 x 175 x 2100 long
Hanging Stile	100 x 75
Shutting Stile	75 x 75
Top Rail	100 x 50
All Other Rails	75 x 50
Braces, housed in top rail	75 x 25
Pales with pointed tops secured to each rail and the braces by two galvanised 63 x 10 s.w.g nails dovetail driven	75 x 25 x 1220 long

Detail of Joint between Top and Bottom Rails and Hanging Stile



Rev.	Description	Drawn	Ch'kd	Auth	Date



in partnership with



**Nottinghamshire
County Council**

www.viam.co.uk Tel 0115 804 2100

Bilsthorpe Depot, Bilsthorpe Business Park, Bilsthorpe,
Nottinghamshire, NG22 8ST

Project

Highway Construction Details

Project

Drawn

JLS

Date

19/08/2020

Status

Project No.

Fencing

Ch'kd

JD

Date

29/01/21

Drawing Title

Timber Wicket Gates -Types 1 And 2

Auth

JJP

Traced

JLS

Drawing No.

SD/3/28

Rev.

0

Scale

N.T.S @A4