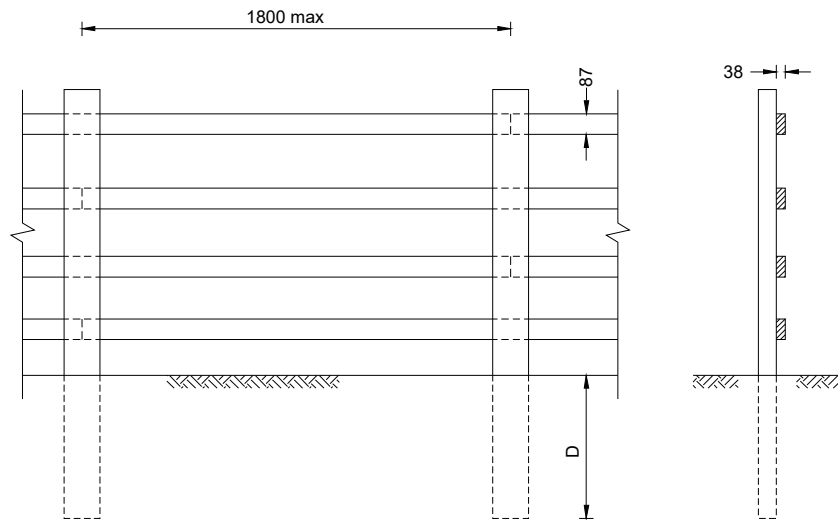


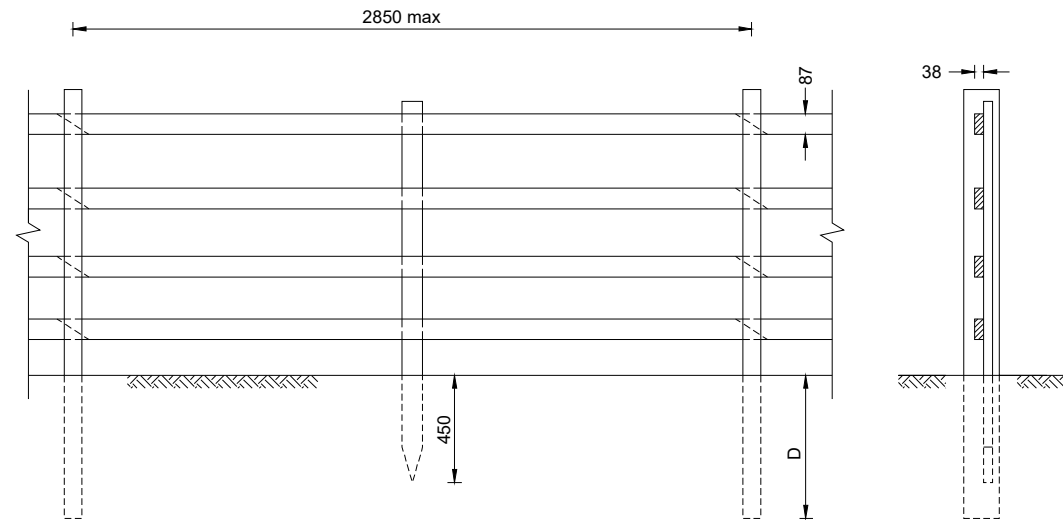
NOTES:

1. For Notes see Drg No SD/3/16A



TYPICAL CONSTRUCTION DETAILS - NAILED POST AND FOUR RAIL FENCING
TYPE ILLUSTRATED BS REF SPR 11/4

BS REF	POST DETAILS LENGTH SECTION	NUMBER OF RAILS	HEIGHT TO TOP OF TOP RAIL	SPACING BETWEEN RAILS (FROM TOP)	VALUE OF D
SPR 11/4	1800 75 x 150	4	1100	225-200-175-150	600
SPR 13/4	2100 75 x 150	4	1300	250-250-225-225	700



TYPICAL CONSTRUCTION DETAILS - MORTICED POST AND FOUR RAIL FENCING
TYPE ILLUSTRATED BS REF MPR 11/4

BS REF	MAIN POSTS LENGTH SECTION	PRICK POSTS LENGTH SECTION	NUMBER OF RAILS	HEIGHT TO TOP OF TOP RAIL	SPACING BETWEEN RAILS (FROM TOP)	VALUE OF D
MPR 11/4	1800 75 x 150	1600 38 x 87	4	1100	225-200-175-150	600
MPR 13/4	2100 75 x 150	1800 38 x 87	4	1300	250-250-225-225	700

Rev.	Description	Drawn	Ch'kd	Auth	Date



in partnership with



www.viaem.co.uk Tel 0115 804 2100

Bilsthorpe Depot, Bilsthorpe Business Park, Bilsthorpe,
Nottinghamshire, NG22 8ST

Highway Construction Details

Fencing

Post And Four Rail Fencing To BS 1722 Part 7

SD/3/17

Project	Description	Drawn	Ch'kd	Auth	Date
		JLS			20/08/2020
Status	Project No.	Ch'kd			Date
		JD			29/01/21
Drawing Title		Auth	JJP		Traced
					JLS
Drawing No.		Rev.	0		Scale
					N.T.S @A4