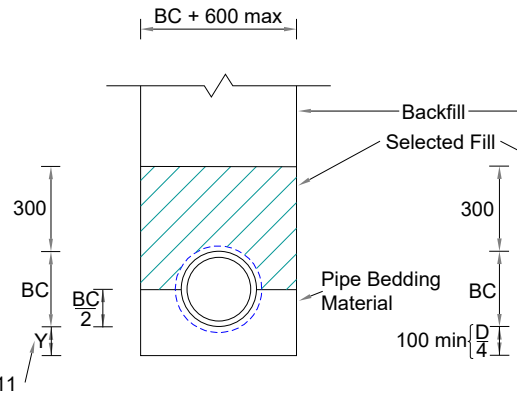
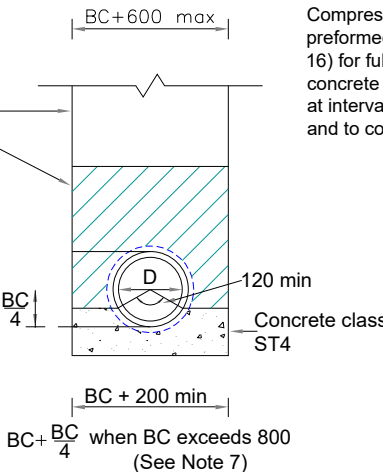


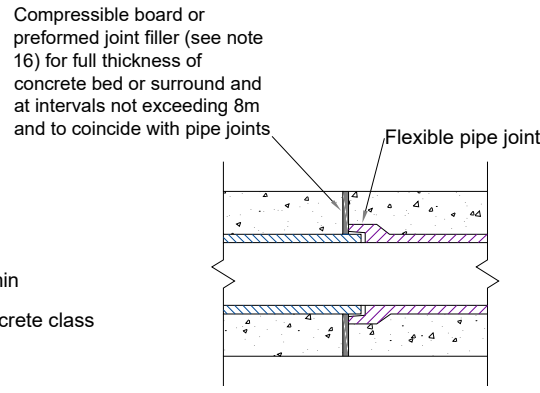
**BED TYPE S**  
(Granular bed & surround  
- bedding factor 2.2)



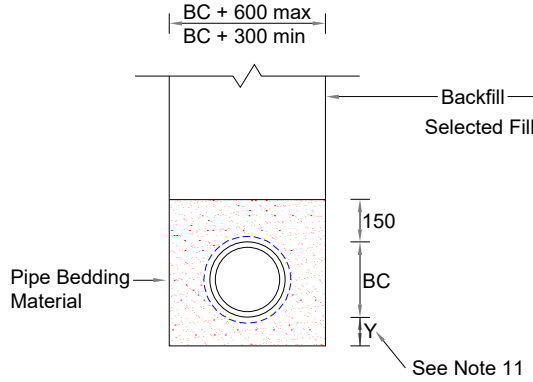
**BED TYPE B**  
(Granular bed & haunch -  
bedding factor 1.9)



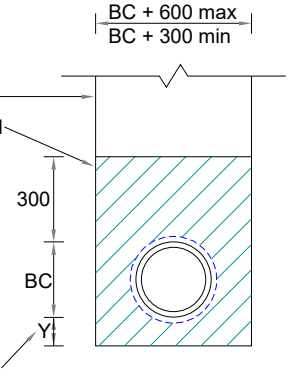
**BED TYPE A**  
(Concrete bed - bedding  
factor 2.6)



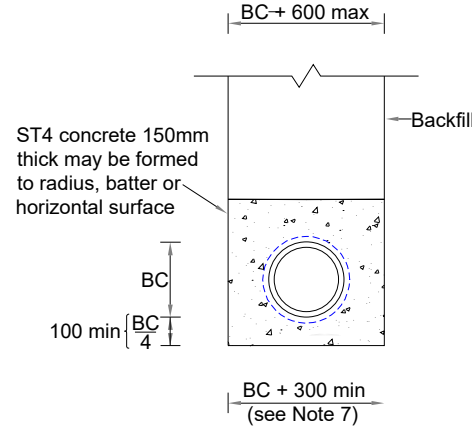
**EXPANSION JOINT FOR CONCRETE**  
(bed or surround)



**BED TYPE E**  
(Granular bed & surround)



**BED TYPE Q**  
(bed & surround)



**BED TYPE Z**  
(concrete & surround)

- NOTES:  
1. For notes see Drg No SD/5/3.

Rev.	Description	Drawn	Ch'kd	Auth	Date

**via** in partnership with  
**Nottinghamshire County Council**  
www.viaem.co.uk Tel 0115 804 2100  
Bilsthorpe Depot, Bilsthorpe Business Park, Bilsthorpe,  
Nottinghamshire, NG22 8ST

Project		Highway Construction Details			Project	Drawn	Date
Status	Project No.	DRAINAGE			JLS	10/06/2020	
Drawing Title		Sewers and Drains - Trench and Bed Details			Ch'kd	Date	
Drawing No.		SD/5/4			JJP	23/06/20	
					Auth	Traced	
					Rev.	Scale	
					0	N.T.S @A4	

Jul 28, 2020 - 3:35pm I:\Highways\Design and Construction\Roads and Highways\Projects\6-1920\000\2020\7 New Hwy Design Guide for New Dev\Design\CAD\New standard details\NCC SD500 Series\SD.5-4.dwg