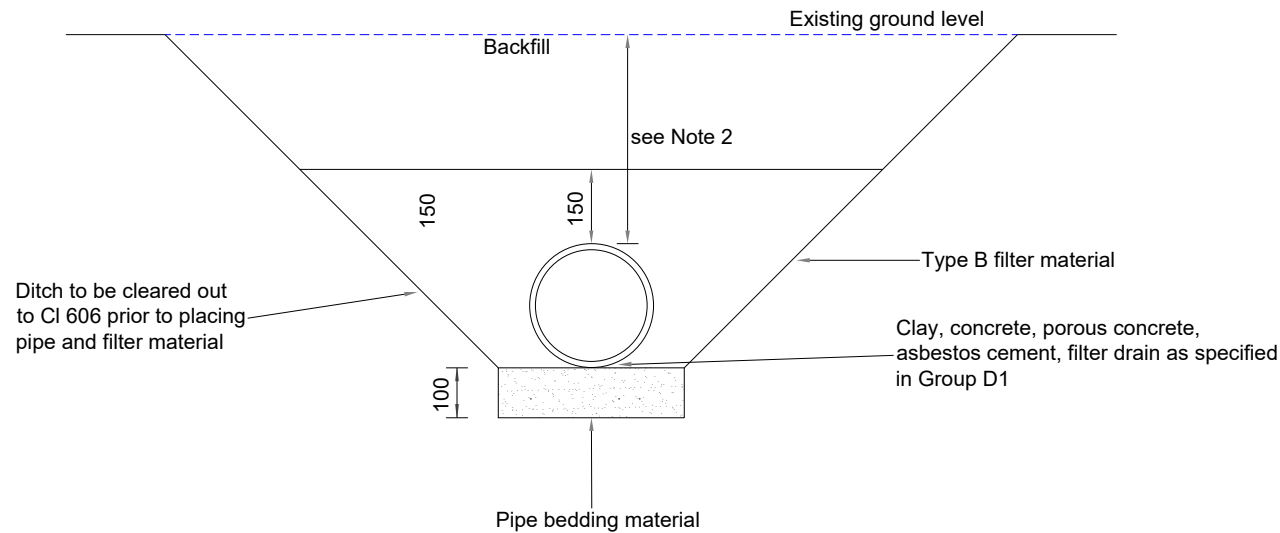


NOTES:

1. All dimensions are in millimetres unless otherwise stated.
2. The pipe strength and cover should not be less than those in the tables for D2 or D3 drains.



Rev.	Description	Drawn	Ch'kd	Auth	Date



in partnership with



**Nottinghamshire
County Council**

www.viaem.co.uk Tel 0115 804 2100

Bilthorpe Depot, Bilthorpe Business Park, Bilthorpe,
Nottinghamshire, NG22 8ST

Project		Highway Constructions Details			Project	Drawn	JLS	Date	12/06/2020
Status	Project No.	DRAINAGE			Ch'kd	JD	Date	29/06/20	
Drawing Title		Pipe In Existing Ditch			Auth	JJP	Traced	JLS	
Drawing No.		SD/5/34			Rev.	0	Scale	N.T.S @A4	