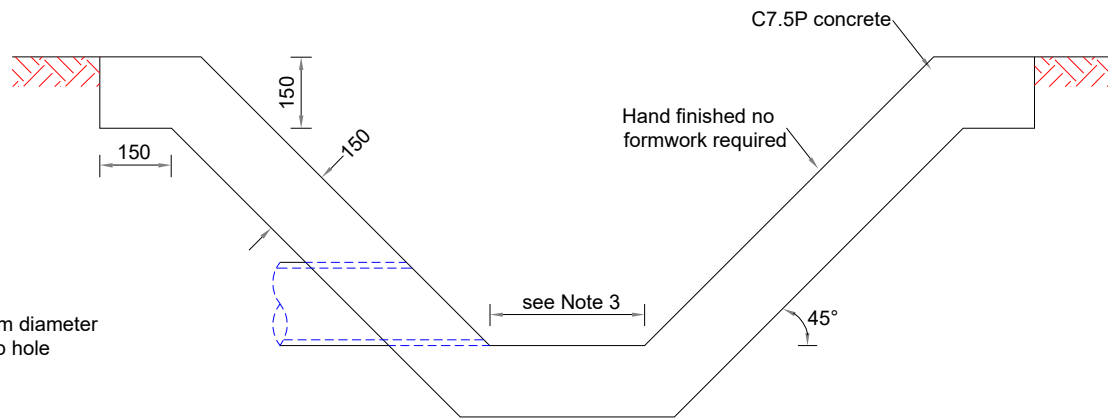
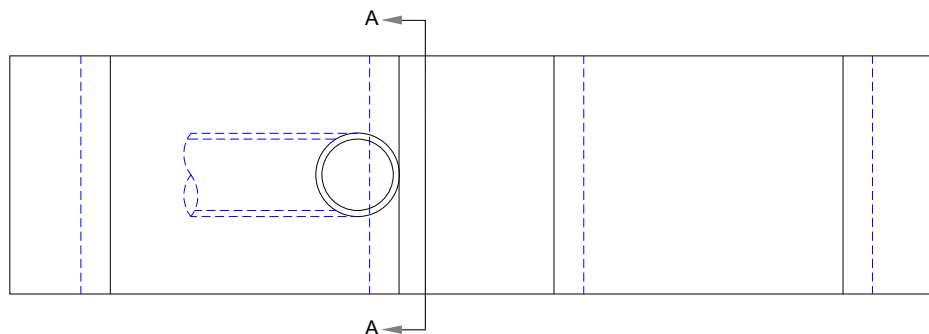


SECTION A - A



CROSS SECTION



PLAN

NOTES:

1. All dimensions are in millimetres unless otherwise stated.
2. Where the pipe enters the ditch at an angle, the ditch lining must be at the same angle.
3. Maximum internal diameter of pipe, D is 300mm.
4. Width of bottom of ditch dependent on maximum size of pipe outflowing to ditch - see Drg No SD/5/27.
5. Edge of excavation to be used as formwork.
6. BC = Outside diameter.

| Rev. | Description | Drawn | Ch'kd | Auth | Date |
|------|-------------|-------|-------|------|------|
| | | | | | |
| | | | | | |



in partnership with



www.viaem.co.uk Tel 0115 804 2100

Bilsthorpe Depot, Bilsthorpe Business Park, Bilsthorpe, Nottinghamshire, NG22 8ST

| | | | | | | | | | |
|---------------|-------------|------------------------------|--|--|---------|-------|--------|-----------|------------|
| Project | | Highway Construction Details | | | Project | Drawn | JLS | Date | 12/06/2020 |
| Status | Project No. | DRAINAGE | | | Ch'kd | JD | Date | 29/06/20 | |
| Drawing Title | | Concrete Ditch Lining | | | Auth | JJP | Traced | JLS | |
| Drawing No. | | SD/5/31 | | | Rev. | 0 | Scale | N.T.S @A4 | |