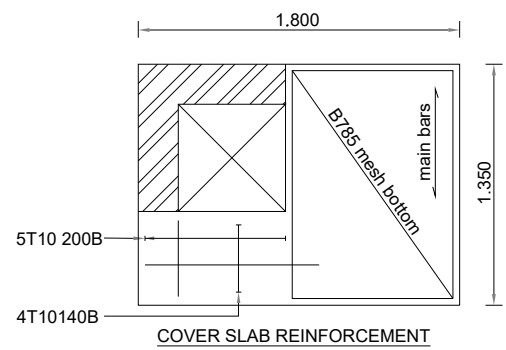
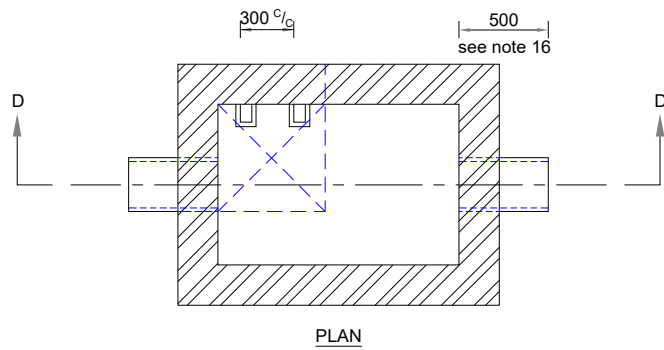
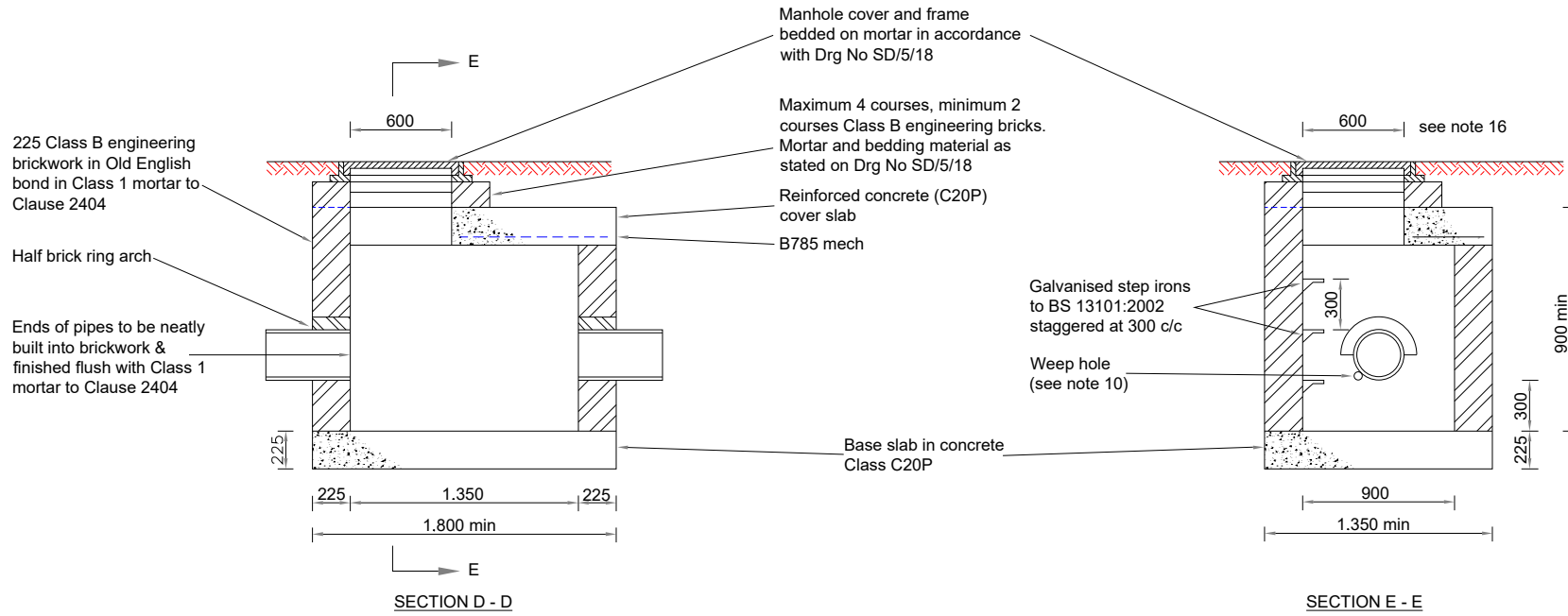


NOTES:

- For Notes see Drg No SD/5/16.



TYPICAL DETAILS OF BRICK CATCHPIT

(Pipe diameter 100 - 450, depth to top of base slab 1.3 - 3.0) see Note 9

Rev.	Description	Drawn	Ch'kd	Auth	Date

via in partnership with **Nottinghamshire County Council**

www.viaem.co.uk Tel 0115 804 2100

Bilsthorpe Depot, Bilsthorpe Business Park, Bilsthorpe, Nottinghamshire, NG22 8ST

Project		Highway Construction Details			Project	Drawn	Date
Status		DRAINAGE			JLS	JLS	11/06/2020
Drawing Title		Catchpit Group CP1 - Brick Catchpits			JD	JD	25/06/20
Drawing No.		SD/5/20			JJP	JJP	JLS
					0	0	N.T.S @A4