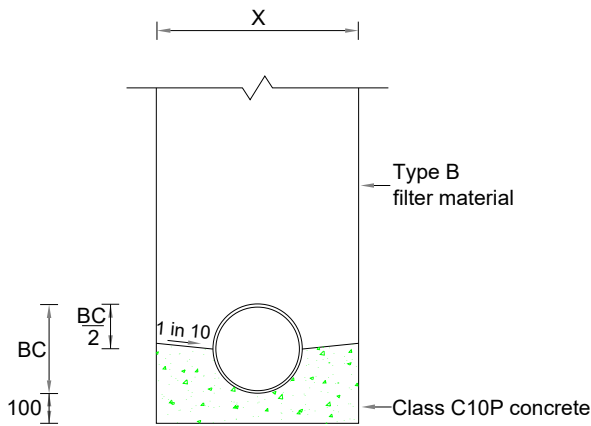


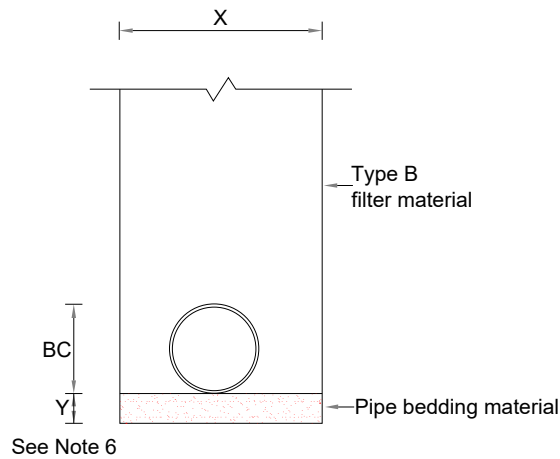
NOTES:

- For Notes see Drg No SD/5/1.

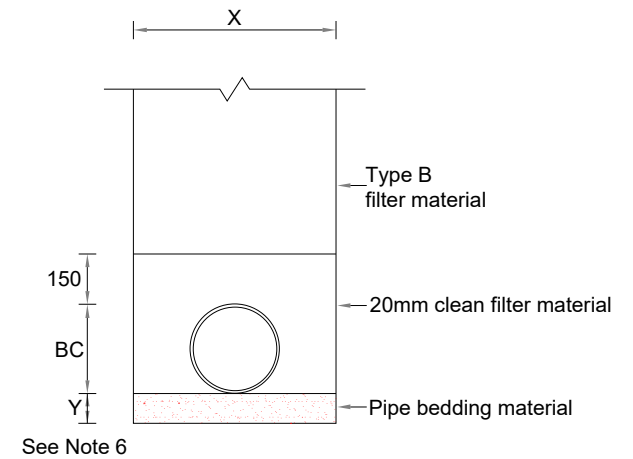
TYPE G



TYPE H



TYPE I



PERMITTED ALTERNATIVE MATERIALS

TYPE OF PIPE	DIAMETER	DEPTH	CLASS OF PIPE
CONCRETE	Upto 450	See table for Group D2 DRAINS & SEWERS UNDER ROADS & VERGES with Type A Bedding	S
CLAY			
PERFORATED CLAY			
ASBESTOS CEMENT			
POROUS CONCRETE	150, 225, 300, 375	0.9 - 6.0 1.2 - 2.1	S

PERMITTED ALTERNATIVE MATERIALS

TYPE OF PIPE	DIAMETER	DEPTH	CLASS OF PIPE
CONCRETE	Upto 450	See table for Group D2 DRAINS & SEWERS UNDER ROADS & VERGES with Type B Bedding	S
CLAY			
PERFORATED CLAY			
ASBESTOS CEMENT			
POROUS CONCRETE	150, 225, 300	0.9 - 6.0	S

PERMITTED ALTERNATIVE MATERIALS

TYPE OF PIPE	DIAMETER	DEPTH	CLASS OF PIPE
PERFORATED UPVC	150, 225, 300, 400	0.9 - 6.0	-

Rev.	Description	Drawn	Ch'kd	Auth	Date



in partnership with



www.viaem.co.uk Tel 0115 804 2100

Bilthorpe Depot, Bilthorpe Business Park, Bilthorpe,
Nottinghamshire, NG22 8ST

Project		Highway Construction Details			Drawn	JLS	Date	10/06/2020
Status	Project No.	DRAINAGE			Ch'kd	JD	Date	23/06/20
Drawing Title		Group D1 - Filter Drains - Alternative Details			Auth	JJP	Traced	JLS
Drawing No.		SD/5/2			Rev.	0	Scale	N.T.S @A4